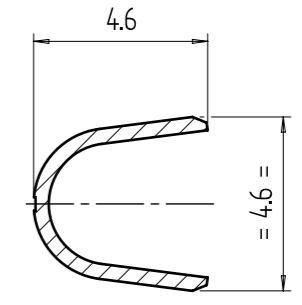
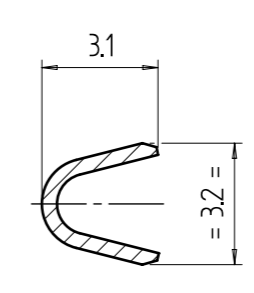
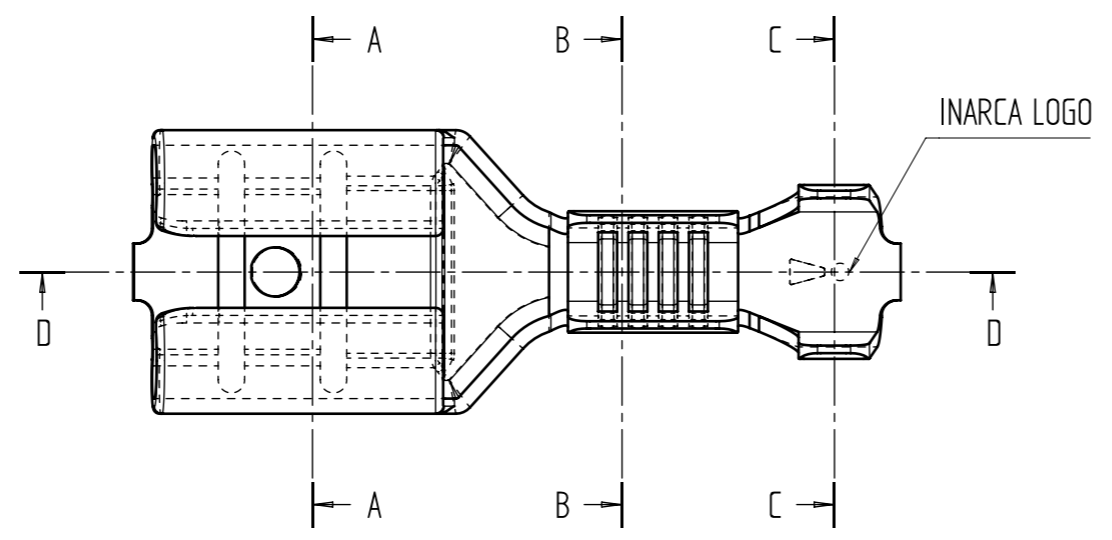
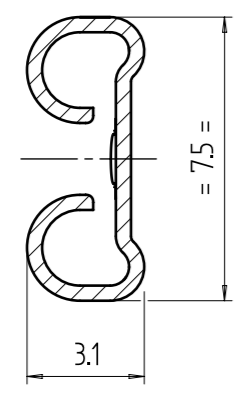
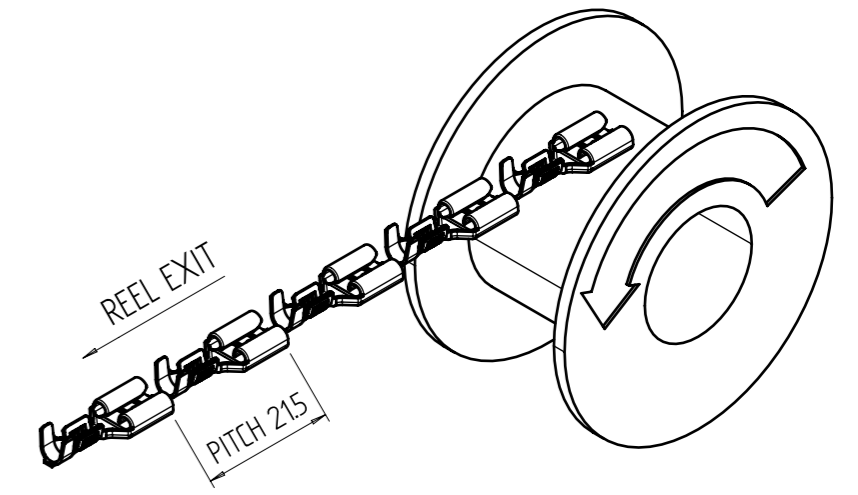
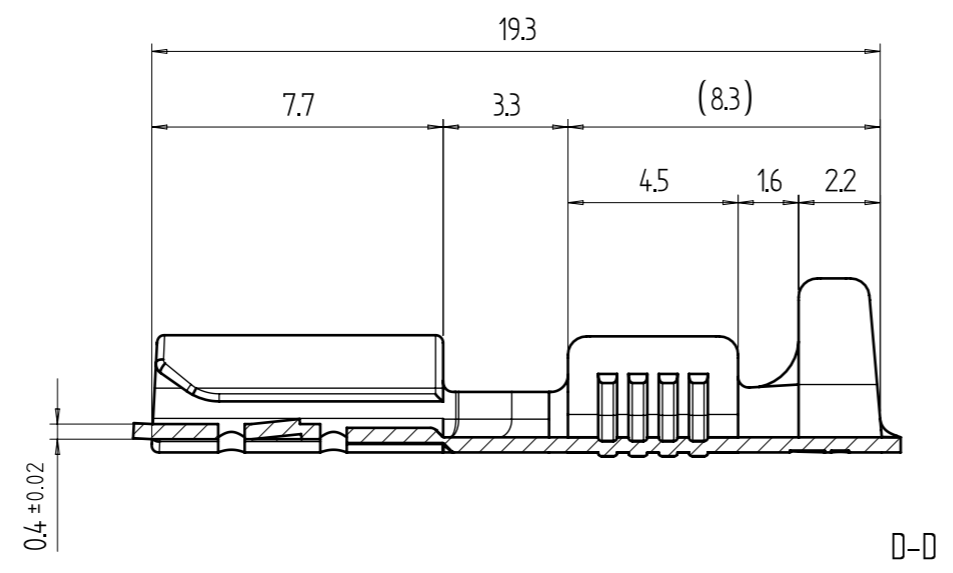


- 01 Matchable with male terminal 6.3x0.8 mm (DIN 46244)
- 02 Crimping copper section: 0.5 – 1.5 mmq
Insulation diameter: 1.9 – 3.3 mm
- 03 Crimping with frontal mini-applicator code:
AT750210129 adjustment rotating click
AT750210129S for steel adjustment rotating click



A-A

B-B

C-C

CUSTOMER DRAWING

UNLESS OTHERWISE SPECIFIED		DRAWING N°	NAME		inarca	
ALL DIMENSIONS IN MM		PL10129	STRAIGHT RECEPTACLE 6,3X0,8 0,5-1,5			
GENERAL TOLERANCES		VERSION	MATERIAL		DRF. FORNARO	DT. 2010-09-13 15:29:05
LINEAR	±0.2mm	10	SEE TABLE		APP. p.toniolo	DT. 28/03/2022
ANGULAR		PROJECT	FINISH		PRD. p.toniolo	DT. 28/03/2022
NON DIMENSIONED EDGES		PRODUCT SPECIFICATION	SEE TABLE		FRZ.	DT.
SURFACE ROUGHNESS		011006300000	SIZE A3	SCALE 5:1	SHEET 1 OF 1	
INARCA S.P.A. PADOVA ITALY ACCORDING TO THE LAW RESERVES THE RIGHT OF PROPERTY OF THE PRESENT DRAWING AND ITS REPRODUCTION AND/OR TRANSMISSION WITHOUT EXPRESS AUTHORIZATION BY THE COMPANY IS FORBIDDEN						

0010129005	CuZn	-	cURus
0910129001	CuNiZn	-	
0010129201	CuZn	Tin Plated	cURus - VDE
0010129001	CuZn	-	cURus
CODE	MATERIAL	SURFACE FINISH	VALIDATION