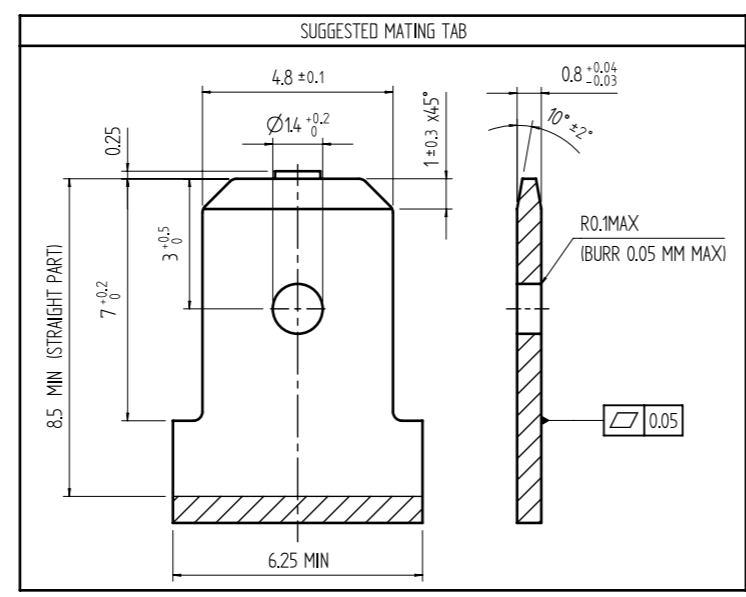
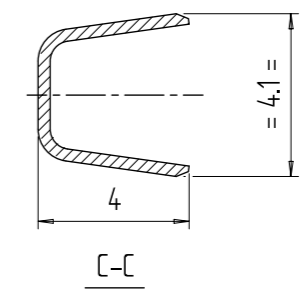
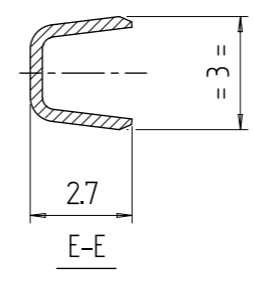
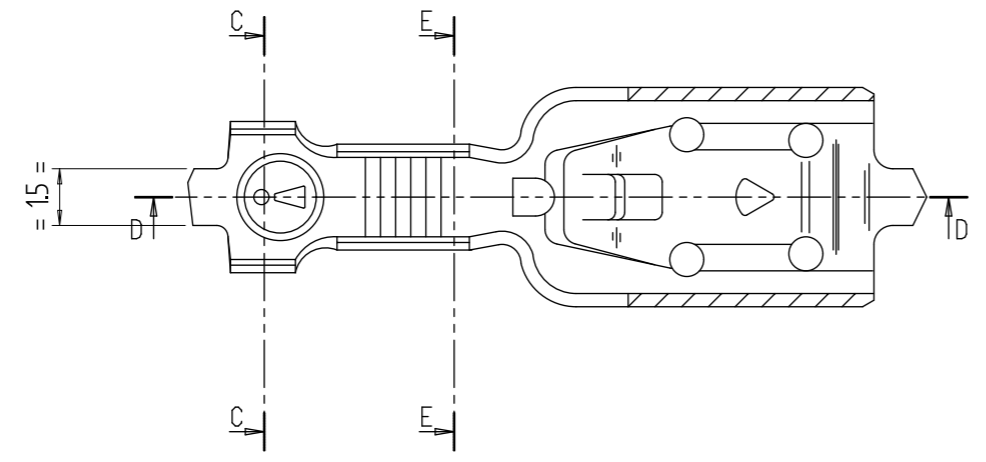
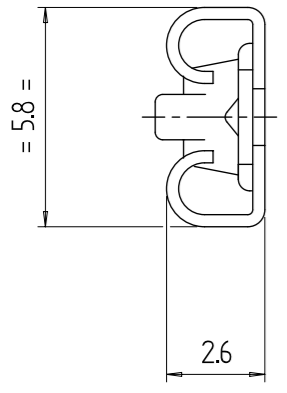
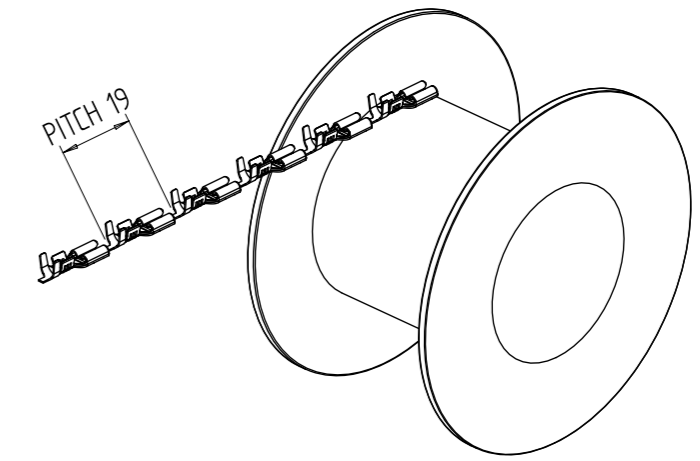


- 01 Female side suitable for tab 4,8x0.8 mm
Insertable into sleeve cod. PP52132 (vedi PR500004815)
- 02 Wire range: 0.5 - 1.5 mm²
Insulation range: 1.7 - 2.5 mm
Crimping through mini-applicator AT750211332



0011332101	CuZn	Pre-Tinned	cURus - VDE
0011332001	CuZn	-	cULus
0011332201	CuZn	Tin Plated	
0911332001	CuNiZn	-	
CODE	MATERIAL	SURFACE FINISH	VALIDATION

CUSTOMER DRAWING											
UNLESS OTHERWISE SPECIFIED ALL DIMENSIONS IN MM GENERAL TOLERANCES					DRAWING N° PL11332		NAME INAR-SAFETY STRAIGHT RECEPTACLE 4,8X0,8 0,5-1,5			inarca	
LINEAR	±0.2mm		VERSION 15		MATERIAL SEE TABLE						DRF. COPPO
ANGULAR			PROJECT		FINISH SEE TABLE					APP. P.TONIOLO	DT. 31/05/2022
NON DIMENSIONED EDGES			PRODUCT SPECIFICATION 133004800000		SIZE A3	SCALE 5:1	SHEET 1 OF 1			PRD. P.TONIOLO	DT. 31/05/2022
SURFACE ROUGHNESS										FRZ.	DT.
INARCA S.P.A. PADOVA ITALY ACCORDING TO THE LAW RESERVES THE RIGHT OF PROPERTY OF THE PRESENT DRAWING AND ITS REPRODUCTION AND/OR TRANSMISSION WITHOUT EXPRESS AUTHORIZATION BY THE COMPANY IS FORBIDDEN											