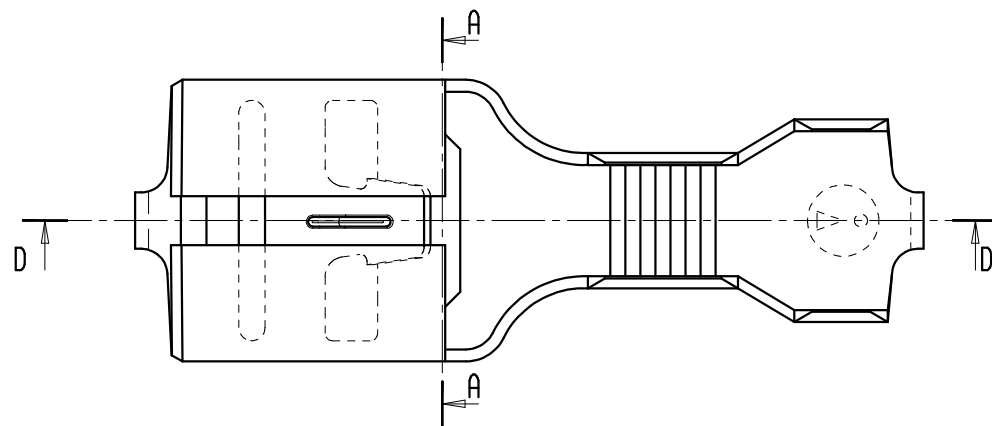
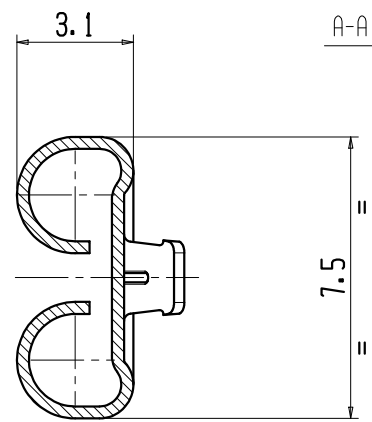
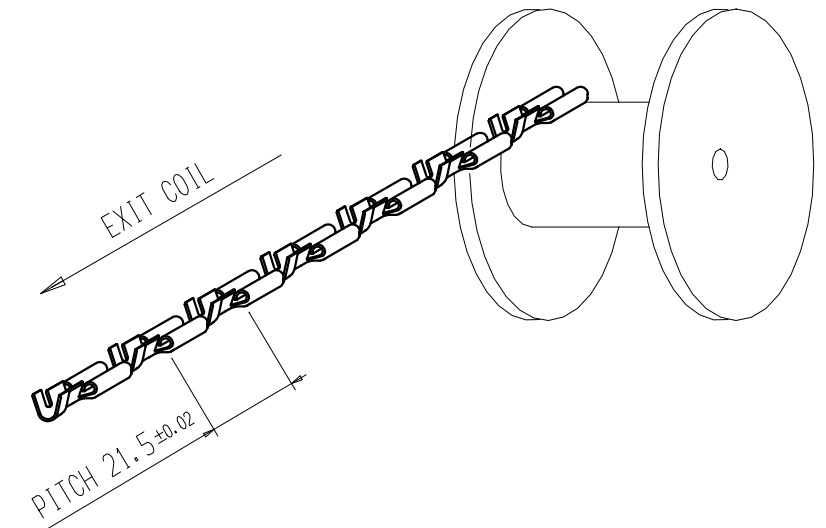

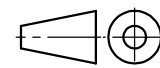


- 01 Suitable for TAB 6.3x0.8 mm (DIN 46244)
- 02 Wire range: 0.75 - 2 mmq
Sheet range: 2.2 - 3.7 mm
Crimped with flag-type miniapplicator code AT750210267



0910267001	CuNiZn		
0010267301	CuZn	SilverPlated	
0010267207	CuZn	TinPlated	cURus
0010267200	CuZn	TinPlated	
0010267107	CuZn	Pre-Tinned	
0010267007	CuZn		
0010267000	CuZn		
0210267121	Fe	Ni	
0110267201	CuSn	TinPlated	
0110267001	CuSn		
0010267201	CuZn	TinPlated	cURus
0010267001	CuZn		
CODE	MATERIAL	SURFACE FINISH	VALIDATION

DISEGNO PER CLIENTE SOLO PER RIFERIMENTO				CUSTOMER DRAWING FOR REFERENCE ONLY													
ORDER N.	GENERAL TOLERANCE	Angularity	Non Dimensioned Edges	Surface Roughness	 Connecting energy. Energia in connessione <small>Inarca spa - Vigodarzere (PD) Italy</small>												
DRAWING N. PL10267	MATERIAL																
VERSION 7 MOD. INDEX 10	HEAT TREATMENT																
PROJECT	FINISHING																
mm ← INCH →		LINEAR	Size	f10	> 3	> 6	> 10	> 18	> 30	> 50	> 80	> 120	> 180	> 250	> 315	> 400	
		TOLERANCE		±	0.03	0.04	0.05	0.06	0.07	0.08	0.1	0.11	0.13	0.15	0.16	0.18	0.2
		ISO J13		±	0.07	0.09	0.11	0.14	0.17	0.2	0.23	0.27	0.32	0.36	0.4	0.45	0.5
NAME		STRAIGHT RECEPTACLES 6.3X0.8 0.75-2 DT.															
INARCA S.p.a. PADOVA ITALY ACCORDING TO THE LAW RESERVES THE RIGHT OF PROPERTY OF THE PRESENT DRAWING AND ITS REPRODUCTION AND/OR TRANSMISSION WITHOUT EXPRESS AUTHORIZATION BY THE COMPANY IS FORBIDDEN.																	