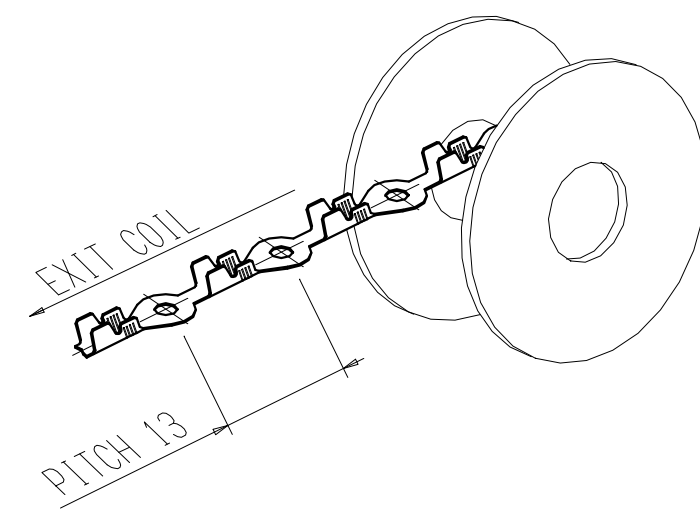


- 01 Suitable with connecting pin $\varnothing 4$ mm
- 02 Wire range: 0.5-1.5 mmq
Sheat range: 1.9-3.3 mm
Crimped with linear miniapplicator code AT750210569



DISEGNO PER CLIENTE SOLO PER RIFERIMENTO	CUSTOMER DRAWING FOR REFERENCE ONLY
--	---

ORDER N.	GENERAL TOLLERANCE	Angularity	Non Dimensioned Edges	Surface Roughness											
DRAWING N. PL10571	MATERIAL														
VERSION 3 MOD. INDEX 4	HEAT TREATMENT														
PROJECT	FINISHING														
	LINEAR TOLLERANCE	Size	f _{no}	> 3	> 6	> 10	> 18	> 30	> 50	> 80	> 120	> 180	> 250	> 315	> 400
	ISO J13	±	0.03	0.04	0.05	0.06	0.07	0.08	0.1	0.11	0.13	0.15	0.16	0.18	0.2
		±	-	-	0.75	0.9	1.05	1.25	1.5	1.75	2	2.3	2.6	2.85	3.15

NAME **RING TERMINAL D=4.3 X 6.2 X 12.1 0.5-1.5**

INARCA S.p.a. PADOVA ITALY ACCORDING TO THE LAW RESERVES THE RIGHT OF PROPERTY OF THE PRESENT DRAWING AND ITS REPRODUCTION AND/OR TRANSMISSION WITHOUT EXPRESS AUTHORIZATION BY THE COMPANY IS FORBIDDEN.

0210571401	Fe	NichelPlated	
0010571201	CuZn	TinPlated	
0010571001	CuZn	-	
CODE	MATERIAL	SURFACE FINISH	VALIDATION