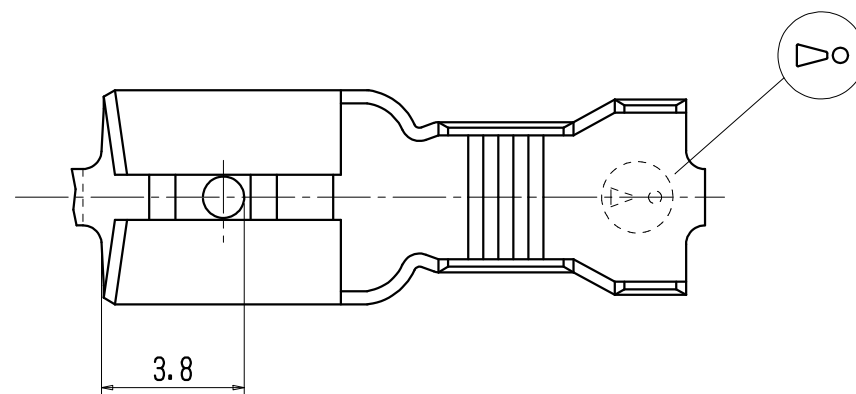
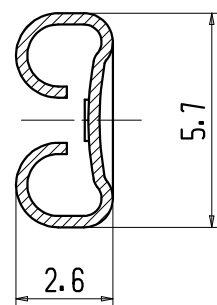
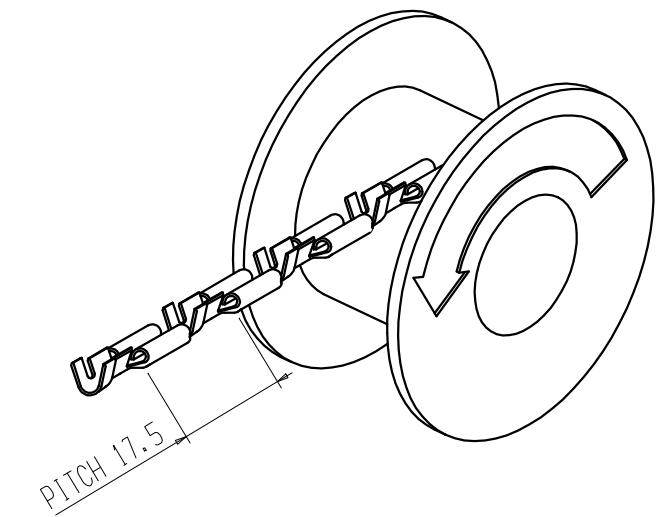


- 01 Suitable with TAB 4.8x0.8 mm (DIN 46244) and with INARCA housing code PP50002 and PP50030
- 02 Wire range: 0.5-2 (0.5+0.5) mmq
Sheat range: 1.9-3.7 mm
Crimped with linear miniapplicator code AT750210586



DISEGNO PER CLIENTE
SOLO PER RIFERIMENTO

CUSTOMER DRAWING
FOR REFERENCE ONLY

ORDER N.	GENERAL TOLLERANCE	Angularity	Non Dimensioned Edges	Surface Roughness
DRAWING N. PL10587	MATERIAL			
VERSION 8 MOD. INDEX	HEAT TREATMENT			
PROJECT	FINISHING			
	LINEAR TOLLERANCE ISO J13	TOLERANCES UNLESS OTHERWISE SPECIFIED ±0.2 mm		



RED. LISSANDRON	DT. 09/01/1980
APP. TONIOLO	DT. 05/07/2021
RIL. TONIOLO	DT. 05/07/2021
PUB.	DT.

NAME STRAIGHT RECEPTACLES 4.8X0.8 0.5-2 (AWG 20-14)

INARCA S.p.a. PADOVA ITALY ACCORDING TO THE LAW RESERVES THE RIGHT OF PROPERTY OF THE PRESENT DRAWING AND ITS REPRODUCTION AND/OR TRANSMISSION WITHOUT EXPRESS AUTHORIZATION BY THE COMPANY IS FORBIDDEN.

0210587401	Fe	NichelPlated	
0910587001	CuNiZn	-	
0010587201	CuZn	TinPlated	
0010587001	CuZn	-	
CODE	MATERIAL	SURFACE FINISH	VALIDATION