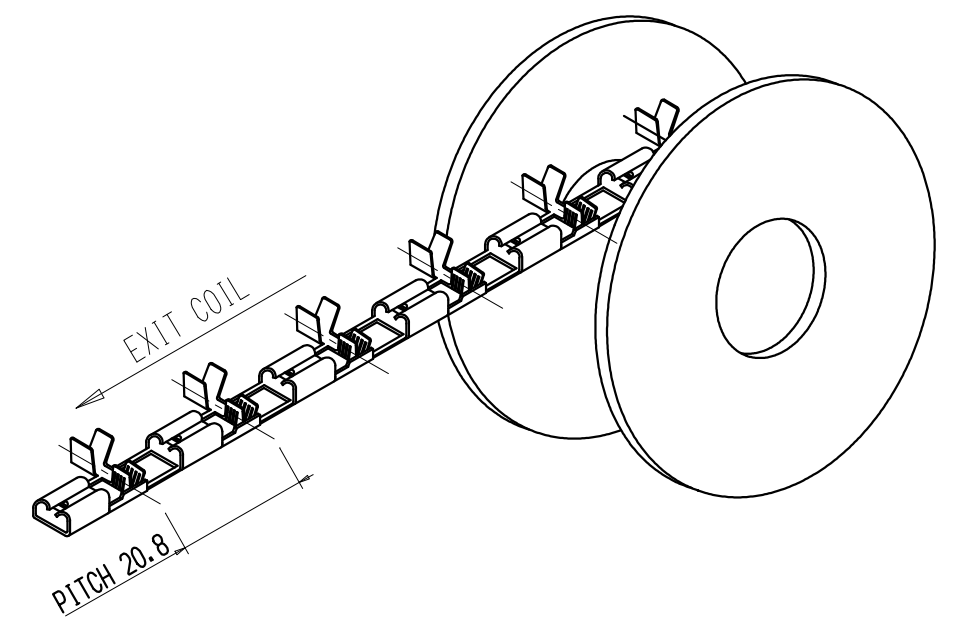
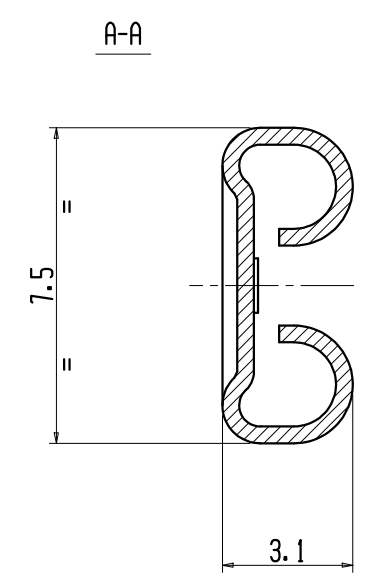
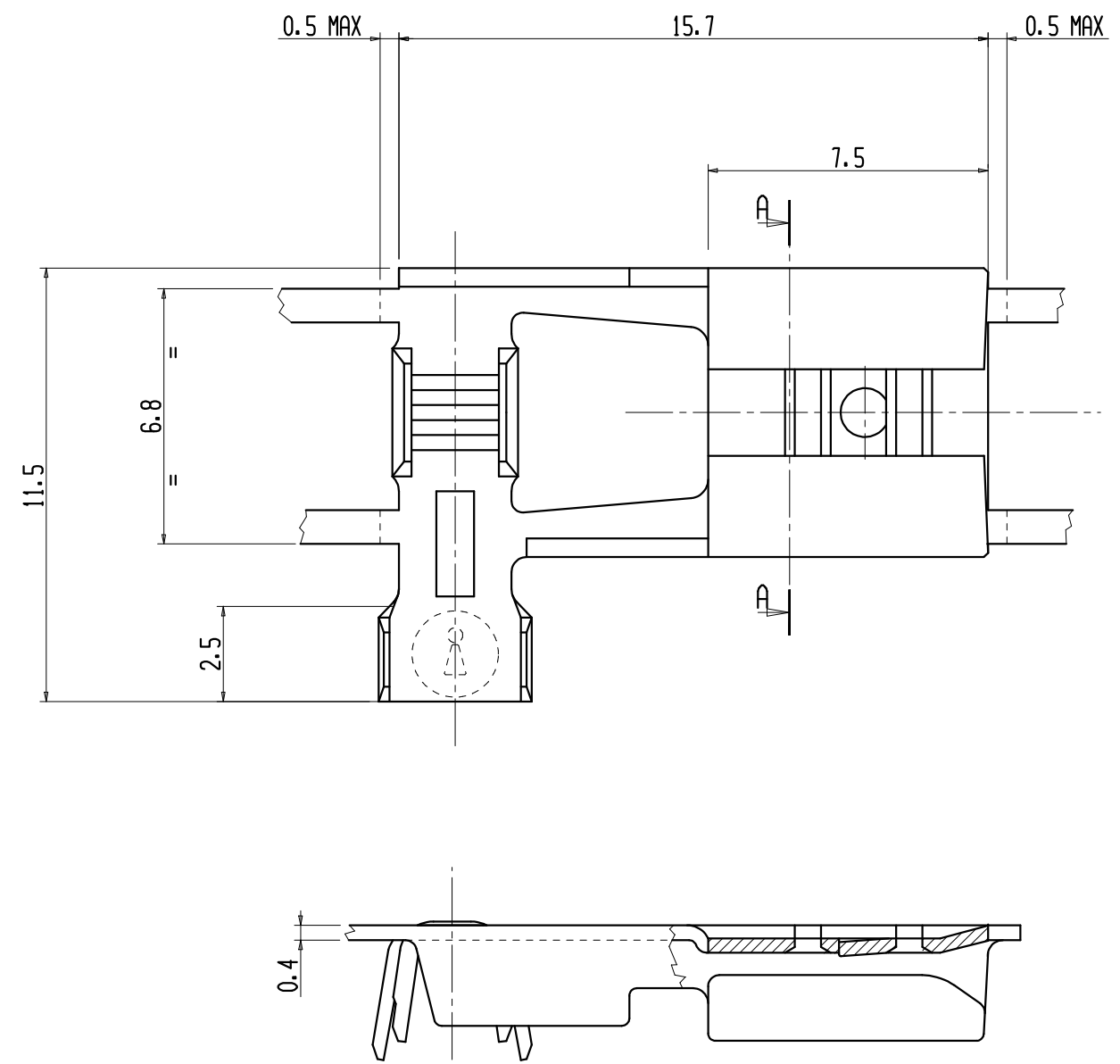


- 01 Suitable for TAB 6,3 x 0,8 mm (DIN 46244) and for housing PP50026
- 02 Wire range: 0,5 - 1,5 mmq
Sheat range: 1,9 - 3,3 mm
Crimping with miniapplicator AT750310984B



DISEGNO PER CLIENTE
SOLO PER RIFERIMENTO

CUSTOMER DRAWING
FOR REFERENCE ONLY

ORDER N.	GENERAL TOLERANCE	Angularity	Non Dimensioned Edges	Surface Roughness	
DRAWING N. PL10984	MATERIAL				
VERSION 5 MOD. INDEX	HEAT TREATMENT				
PROJECT	FINISHING				
	LINEAR TOLERANCE ISO J13	TOLERANCES UNLESS OTHERWISE SPECIFIED ±0.2 mm			RED. COPPO DT. 01/12/1980
					APP. TONIOLO DT. 25/06/2021
					RIL. TONIOLO DT. 25/06/2021
					PUB. DT.

NAME FLAG TYPE RECEPTACLE 6,3X0,8 0,5-1,5
 INARCA S.p.a. PADOVA ITALY ACCORDING TO THE LAW RESERVES THE RIGHT OF PROPERTY OF THE PRESENT DRAWING AND ITS REPRODUCTION AND/OR TRANSMISSION WITHOUT EXPRESS AUTHORIZATION BY THE COMPANY IS FORBIDDEN.

0210984121	Fe	Ni	
0110984301	CuSn	SilverPlated	
0110984201	CuSn	TinPlated	
0110984001	CuSn	-	
0010984301	CuZn	SilverPlated	
0010984201	CuZn	TinPlated	cURus-VDE
0010984001	CuZn	-	
CODE	MATERIAL	SURFACE FINISH	VALIDATION